



Surge Protection DC

Wholesale Low Price Surge Protection DC 2 Years Warranty made in China

Buy quality factory directly supply Surge Protection DC for us! Protect against lightning surge voltages in solar system(photovoltaic power supply system). These units must be installed in parallel on the DC networks to be protected and provide common and different modes protection. Its installed location are recommended at both ends of the DC power supply line(solar panel side and inverter/converter side), especially if the line routing is external and long. High energy MOVs equipped with specific thermal disconnectors and related failure indicators. When the overvoltage has been discharged, the Solar DC SPD automatically returns to its normal state (circuit breaker open).

Wholesale Low Price Surge Protection DC 2 Years Warranty made in China

Buy quality factory directly supply Surge Protection DC for us! Protect against lightning surge voltages in solar system(photovoltaic power supply system). These units must be installed in parallel on the DC networks to be protected and provide common and different modes protection. Its installed location are recommended at both ends of the DC power supply line(solar panel side and inverter/converter side), especially if the line routing is external and long. High energy MOVs equipped with specific thermal disconnectors and related failure indicators.

1. Wholesale Low Price Surge Protection DC 2 Years Warranty made in China Data:

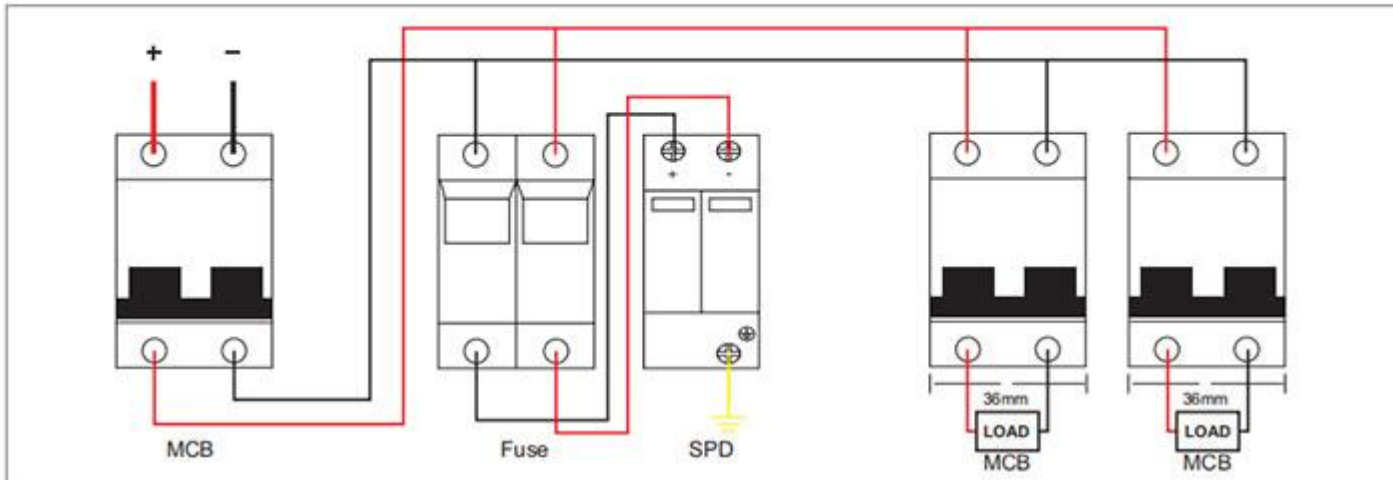
Item	Surge protector DC
Code	YL5-C40-PV
Pole	2,3P
Voltage	600/1000VDC
Breaking Capacity	20-40KA
Standard	CCC/CE/ROHS
Working Temperature	"-30°"to +70°
Uc	600-1500VDC
Uoc max	600-1500VDC

Dimension(W)X(H)X(D)

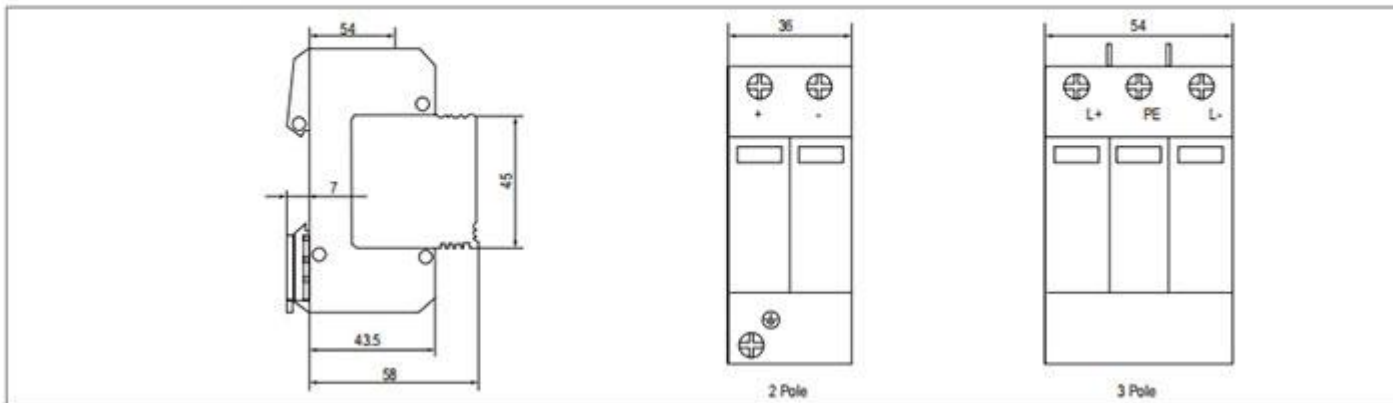
36*90*67.6

Type2 Solar DC Surge Protective Device (DC SPD)

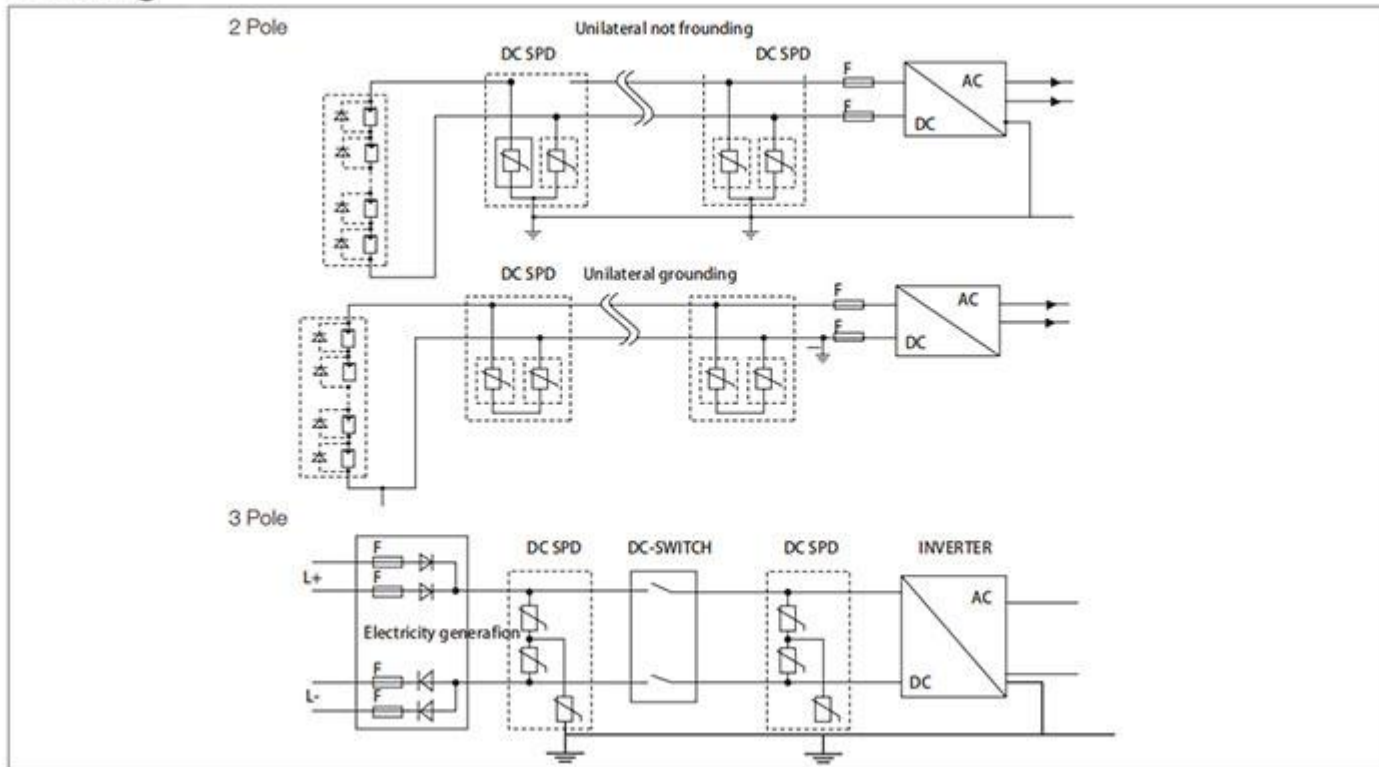
Wiring Diagram



Dimension



Drawing



2.FAQ of Surge Protection DC

Q1:If I'm interested in your product when I can receive your quotation and detail information after send the enquiry?

A1:All your enquiry will be replied in 24hours.

Q2:Can I get a sample before the order because I really don't how is your product quality?

A2:Of course! We can offer free samples , We think sample order is the best way to build the trust. Please send the enquiry to us and get the free sample!

Q3:Do you have a catalogue? Can you send me the catalogue to have a check of all your products?

A3:Yes, We have product catalogue. Please contact us on line or send an Email to sending the catalogue.

Q4:I need your price list of all your products, do you have a price list?

A4:Surely ,we can send the price list to you ,please send your email address to me.



www.ylongelec.com

Q5. Do you accept OEM business?

A5: We accept OEM with your authorization. We also can ODM for you.

Q6: How's the delivery? Because I really need them is urgently?

A6: Samples cost 2-3 days. Bulk order cost 7-15 days.

Q7. What is your terms of delivery?

A7: EXW, FOB, CFR, CIF, DDU.

Q8. Do you test all your goods before delivery?

A8: Yes, we have 100% test before delivery

Q9: Any quality guarantee or after-sales service?

A9: All the products have 2-4 years' Guarantee. If any quality complaint, we will give out solution within 5 days.